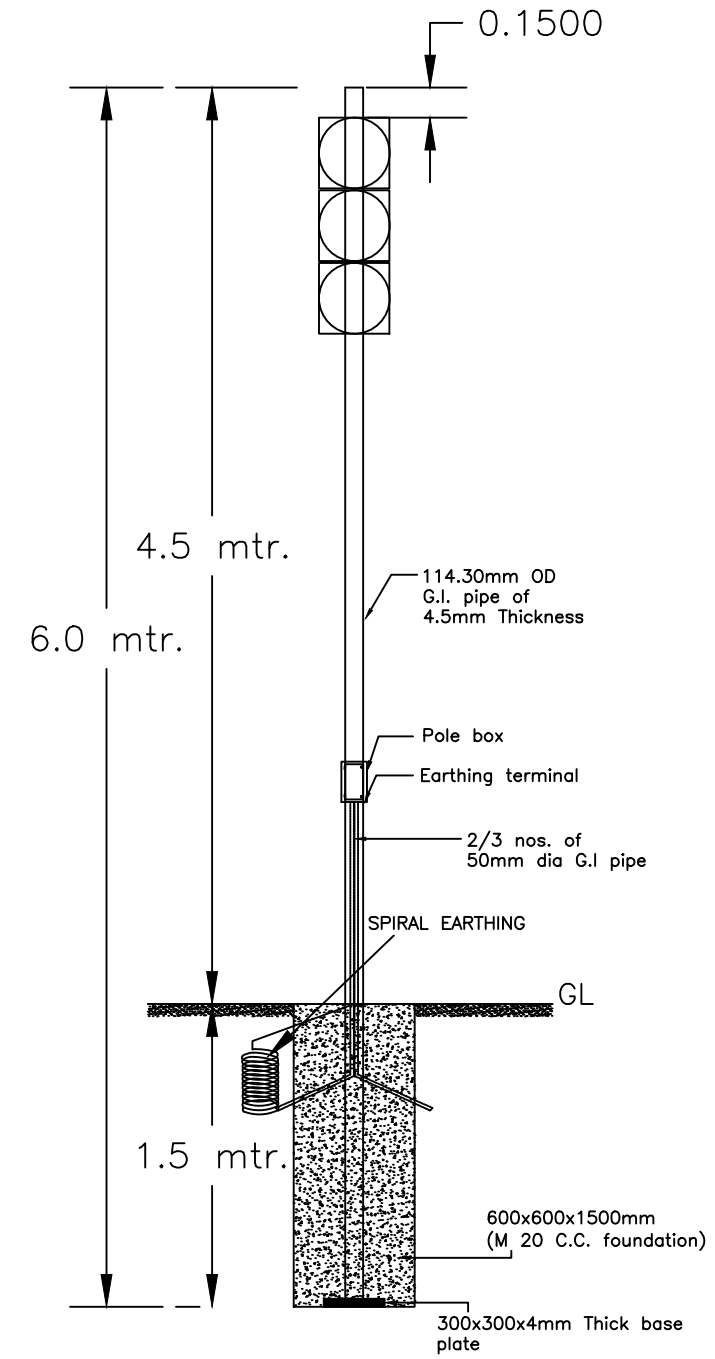




TYPICAL DETAILS FOR CANTILEVER POLE



TYPICAL DETAILS FOR STANDARD POLE

<p>CLIENT:</p>  <p><b>SURAT MAHANAGAR SEWA SADAN</b> SURAT</p>				<p>CONSULTANTS</p>  <p><b>CENTRE FOR ENVIRONMENTAL PLANNING AND TECHNOLOGY</b> KASTURBHAI LALBHAI CAMPUS, UNIVERSITY ROAD, NAVRANGPURA, AHMEDABAD - 380009 PHONE : +91-79-26302470 FAX : +91-79-26302075 email: adm@cept.ac.in</p>				<p>PROJECT:</p> <p>SCALE: NTS</p>		<p>DRAWING NO. EL-001</p> <p>DATE: MAY 2013</p> <p>DESIGNED: QUERIE</p> <p>CHECKED: JITAL</p> <p>APPROVED: H.M.S.</p>		<p>REV. 00</p>				
<p>REVISIONS</p> <table border="1"> <thead> <tr> <th>DATE</th> <th>REV. NO.</th> <th>DESCRIPTION</th> <th>BY</th> </tr> </thead> <tbody> <tr> <td> </td> <td> </td> <td> </td> <td> </td> </tr> </tbody> </table>				DATE	REV. NO.	DESCRIPTION	BY					<p>PROJECT:</p> <p>SCALE: NTS</p>		<p>DRAWING TITLE: TRAFFIC SIGNAL POLE DETAIL</p>		<p>REV. 00</p>
DATE	REV. NO.	DESCRIPTION	BY													